

Three-in-One Installation Manual

Thank you for purchasing our led panel light. Please read the below articles carefully to see how to use this product safely. Warning contents and attention contents related to product safely use ,please be sure to follow it.

Warning

- Only professional electrician who has qualifications can do installation work.
- Please use this panel light within the input voltage :AC100-240V,50/60Hz.
- Using the panel light under circumstance:-20°C-50°C.
- Make sure you cut off power before you start to do the installation procedure.

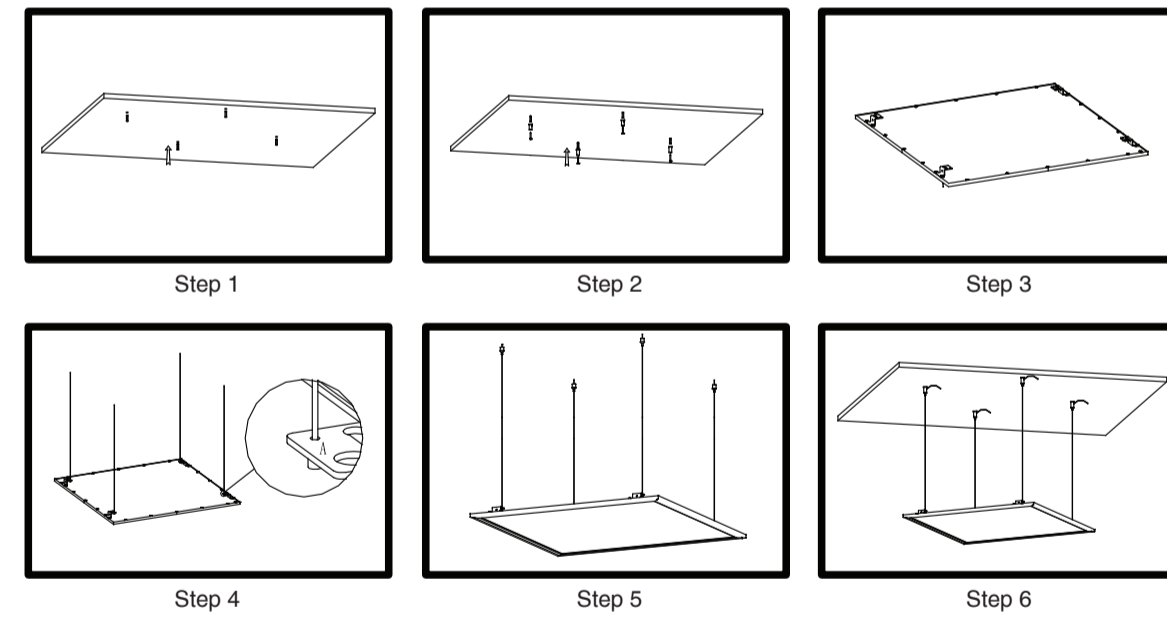
Attention

- This panel light is non-waterproof, please use in dry location only.
- Do not use with dimmers or totally enclosed luminaries.
- Please keep the panel light away from any corrosive substance, when you clean it, pls use dry cloth.
- Due to the panel lights are installed on high places, please ensure personal safety when you clean and fix the panel light.

Installation Guide

Method 1 Suspended installation type 1

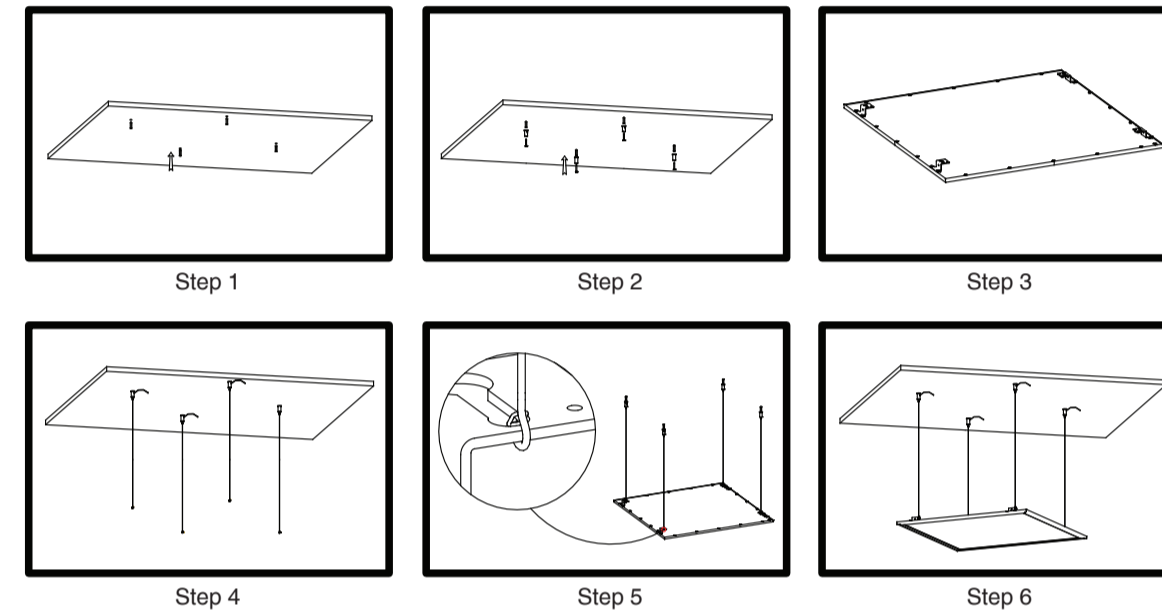
- Drill the $\phi 6$ holes in the ceiling according to the locations in the installation instruction, put the expansion rubber plug into those $\phi 6$ holes, as show below picture.
- Use M4*30 round screw to fix the connection cover on the ceiling, as show below picture.
- The three-in-one bracket is fixed on the panel by using M4*8 round head self-tapping screw, as show below picture.
- Take the hanging wires through the hole "A" on the three-one-in bracket, as show below picture.
- Take the hanging wires through the quick connection, pulling the hanging wires to make sure the four quick connections in the same height, as show below picture.
- Put the quick connection which have the hanging wire screw in the quick connection cover, take overlong hanging wires through the hole which is on the side of the quick connection cover, then, adjust the panel height or the hanging wires length, as show below picture.



1

Method 2 Suspended installation type 2

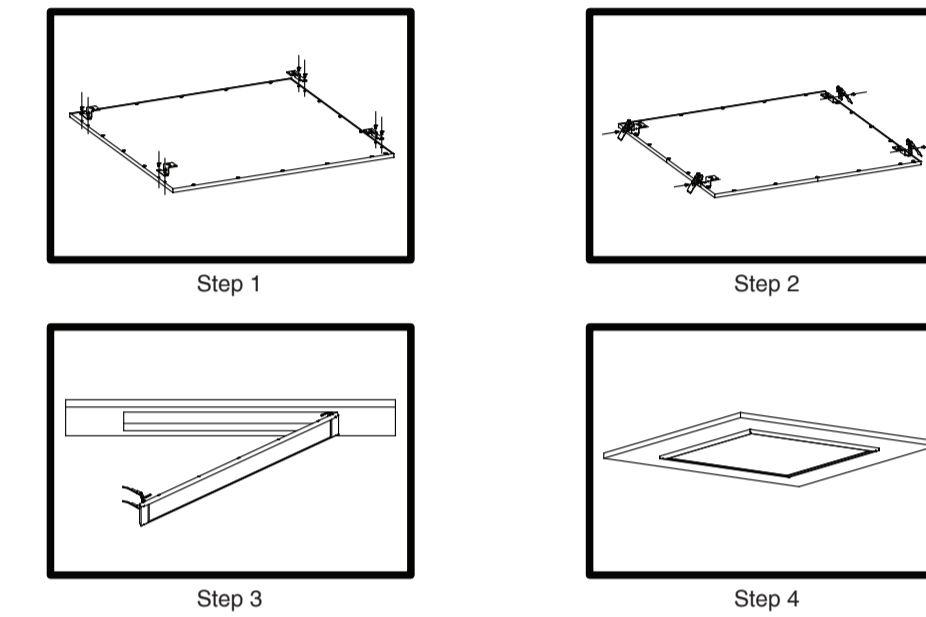
- Drill the $\phi 6$ holes in the ceiling according to the locations in the installation instruction, put the expansion rubber plug into those $\phi 6$ holes, as show below picture.
- Use M4*30 round screw to fix the connection cover on the ceiling, as show below picture.
- The three-in-one bracket is fixed on the panel by using M4*8 round head self-tapping screw, as show below picture.
- Take the hanging wires without key chain side through the quick connection, then, let the quick connection screw in the quick connection cover, take overlong hanging wires through the hole which is on the side of the quick connection cover, adjust the hanging wires in the same height, as show below picture.
- Use the key chain hang on the three-in-one bracket, as show below picture.
- Finish the fixture installation, as show below picture.



2

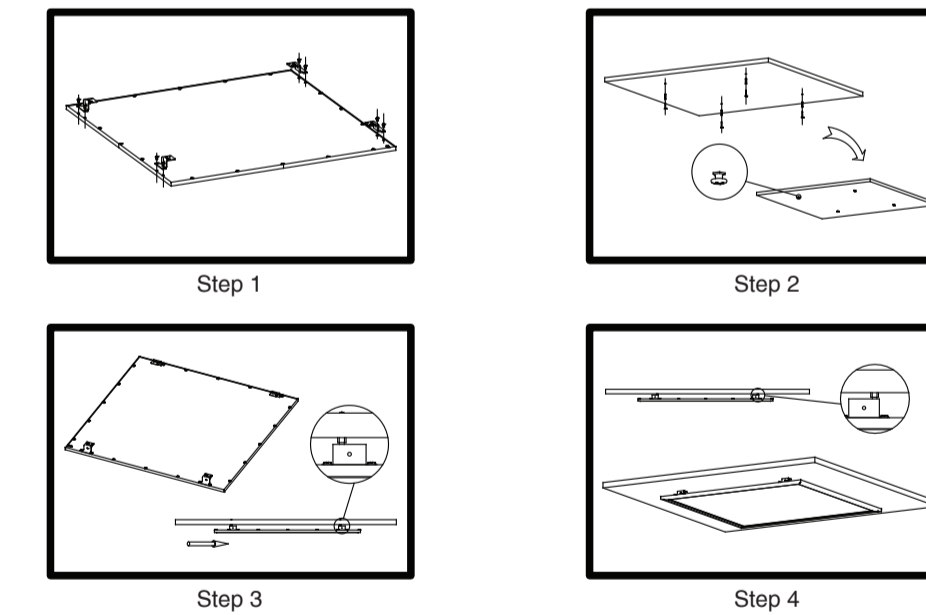
Method 3 Built-in Installation

- The three-in-one bracket is fixed on the panel by using M4*8 round head self-tapping screw, as show below picture.
- The spring clip is fixed on the three-in-one bracket by using M3*5 flat head self-tapping screw, as show below picture.
- Drill a 583*583 square openings on the ceiling, put one side of the panel into the square openings, then, breaking up another side spring clip, insert it to square openings, as show below picture.
- Finish the panel installation, as show below picture.



Method 4 Surface Mounted Installation

- The three-in-one bracket is fixed on the panel by using M4*8 round head self-tapping screw, please keep the same shape three-in-one install in the same direction, as show below picture.
- Drill the $\phi 6$ holes in the ceiling according to the locations in the installation instruction, put the expansion rubber plug in to those $\phi 6$ holes, then, M4*28 pan head self-tapping screw lock in expansion rubber plug, but need keep 3mm length out, as show below picture.
- First install turing side of the three-in-one bracket waist shape hole, then, install another side, finally put the panel to the bottom of waist shape hole.
- Finish the panel installation, as show below picture.



3